

TEST LABORATORY

Notified Body N° 2061

MECHANICAL REPORT TEST ON NON-TRADITIONNAL FLOOR MOUNTING GLASS RAILING SYSTEM

RA-GCO0077

Profile: KF 1200

Wedge: Holding

Glazing: 10/10/4

Length 1000 mm

Category: C1-C2-C3-C4-D [Public]

Applicant: KOZZA France GCD France
270 Rue des Carrières
69440 TALUYERS

Testing date: 19-Jan-21
Writing date: 10-May-21

Usine : Besan Metal İnşaat Taahhüt San. Ve Dış Tic. Ltd. Şti.
Ziya Gökalp, A -1 Blok, Bixsan Sanayi Sitesi 25-28,
34490 İkitelli Osb/Başakşehir, Turquie

Any reproduction of this test report is forbidden except for full photographic facsimile

This report contains 15 pages (including 3 pages of appendix)

PR 05-3/32 - Mechanical report test on glass railing system



04 75 58 59 50



bienvenue@ceribois.com



Rovaltain 14 rue Brillat Savarin
CS 11168 Châteauneuf-sur-Isère – 26958 Valence cedex 9

TABLE OF CONTENTS

1. SUMMARY	Page 3
1.1. TEST SPECIMEN.....	Page 3
1.2. PERFORMANCE RESULTS SUMMARY	Page 3
2. SUBJECT MATTER	Page 4
3. REFERENCE TEXTS	Page 4
4. TEST CONDITIONS	Page 4
5. TEST SPECIMEN DESCRIPTION	Page 5
6. STATIC TESTS	Page 6
6.1. HORIZONTAL OUTWARD STATIC TEST	Page 6
6.1.1. Deformation test under imposed load description	Page 6
6.1.2. Safety load test description	Page 8
6.1.3. Horizontal static outward test results	Page 8
6.2. HORIZONTAL INWARD STATIC TEST	Page 9
6.2.1. Test description	Page 9
6.2.2. Test results	Page 9
7. RAILING FILLING IMPACT TESTS	Page 10
7.1. SOFT BODY IMPACT TESTS	Page 10
7.1.1. Soft body impact test description.....	Page 10
7.1.2. Soft body impact test results	Page 11
7.2. HARD BODY IMPACT TESTS	Page 11
7.2.1. Hard body impact test description	Page 11
7.2.2. Hard body impact test results	Page 12
8. APPENDIX : PLANS	Page 13

1. SUMMARY

1.1. TEST SPECIMEN

COMPANY	KOZZA France GCD France - 270 Rue des Carrières - 69440 TALUYERS
Test specimen's name	KF 1200 - Holding Wedge - Glass 10/10/4 - Length 1000 mm
Target category	C1-C2-C3-C4-D [Public]
Date of receipt	November 18, 2020
Ambient conditions	Temperature: 15 °C / Humidity: 42,5 %
Test specimen's number	CO-GCO0077

Company representative present to the tests:

Eric CHEMARIN - GCD France

Jean-Charles LACOSTE - GCD France

1.2. PERFORMANCE RESULTS SUMMARY

Horizontal outward static test C2-C3-C4-D [Public]	Imposed load 1 kN/ml Safety load 3 kN/ml	COMPLIANT
Horizontal inward static test	40 daN	COMPLIANT
Soft body impact tests	900 J 700 J	COMPLIANT
Hard body impact tests	10 J 3 J	COMPLIANT

Experimental justifications necessary for the evaluation of the suitability, of its capacity to ensure the safety of persons according to the Statement of Works n°3034 V3 - May 2019

Test done on January 19, 2021	Approbation
<i>Cyriane BIRANT Mechanical test technician</i>	<i>Jonathan FERNANDEZ Project Manager</i>

2. SUBJECT MATTER

The mechanical tests made on non-traditional floor mounting glass railing system at CERIBOIS' test laboratory are the following:

1. Horizontal outward static test
2. Horizontal inward static test
3. Soft body impact tests
4. Hard body impact tests

3. REFERENCE TEXTS

The tests are made following the following documents and Standards:

- **Statement of Works n°3034 V3 (May 2019)**
 - **NF P 01-013 (august 1988): RAILINGS TESTS - Methods and criteria**
 - **NF EN 1991-1-1 (March 2003): Eurocode 1 - Actions on structures and its National Annex NF P 06-111-2/A1 (March 2009)**
- **The following test results are only referring to the tested specimen described in "Test specimen description" section of this document.**
- **The test results don't take into account the uncertainty of measurement associated.**
- **The vertical load test and the wind resistance test were not requested; therefore, they were not performed.**

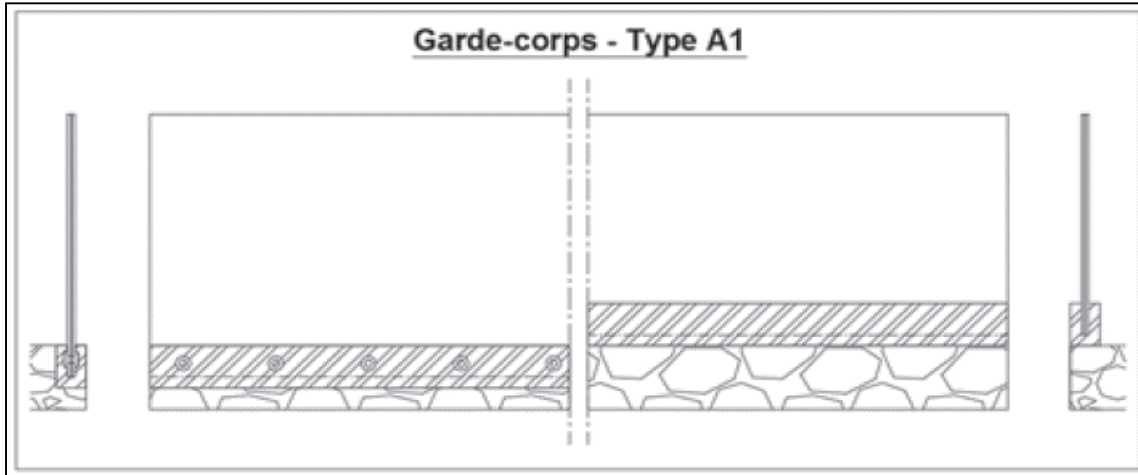
4. TEST CONDITIONS

- Test laboratory CERIBOIS at Valence (26)
- Railing parts (specifically glazing) have been stocked in laboratory weather conditions at least during four hours.
- CERIBOIS' measuring equipment (Dial gauge, force sensor and thermo-hygrometer) are calibrated regularly in the context of CERIBOIS' usual activity following the regulatory requirements of Standard NF EN ISO/CEI 17025.
- The test specimen is rigidly attached onto the mechanical test bed. Its initial verticality is checked.

5. TEST SPECIMEN DESCRIPTION

Non-traditional floor mounting glass railing system: type A1:

- Continuously attached to the ground
- Without vertical framing
- Without handrail
- With only one span



The railing mounting is realized by KOZZA France GCD France's staff, present during the tests.

It is described on the plans on the annex. The railing consists of the following:

Trade name	KF 1200 - Holding Wedge
Dimensions (Hxsn x L)	1090 mm x 1000 mm
Profile	Railing profile KF 1200 (ANODISED ALUMINIUM), reference KOZZA - 1200.250.20.
Fasteners	5 ground fasteners (10mm screws), center distance: 200 mm, without any specific torque.
Wedges	4 mounting wedges Holding (Plastic), center distance: 250 mm without adjusting screws Reference: KOZZA - GLASSMOVE GM1010
Glazing	1 glazing: 10/10/4 (1190 mm - 1000 mm - 21,52 mm) (See the Identification sheet of the glazing in appendix)
Covers	No cover has been fixed to the tested railing
Seals	2 seals (a stuffing and an interior) in ABS 30% and TPE 60SH



Full railing

6. STATIC TESTS

6.1. HORIZONTAL OUTWARD STATIC TEST

6.1.1. Deformation test under imposed load description

The railing is under an horizontal static load in the outward direction. This load is applied on the the top part of the glazing, at 1,09 m above the usual stationary area (ZSN).

This horizontal static load is characterised by the application of a force F from the inside outwards. The points of application of loads are shared with a maximum spacing of 0.35m, on the upper edge of the glazing.

The deformation is measured using a comparator after 3 minutes of application of the imposed load (Pe), applied gradually and without shock, up to the maximum value.

Please Note: Beforehand, a preload with the imposed load value Pe, has been applied during 1 minute in order for the different elements to fall into place.

The initialization of the comparator is done after this pre-loading and after returning to a stable state.

→ **Maximum permissible initial deformation: 35mm**

The Statement of Works n°3034 V3 asks to measure the deformation at 1 m above the Normal Parking Area

Residual deformation is measured 15 minutes after unloading.

→ **Maximum permissible residual deformation: 3mm**

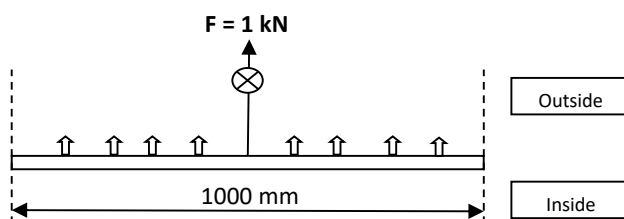
The applied force F (in kN) is equal to $P_e \times L$

$$F = 1 \text{ kN/ml} \times 1 \text{ ml}$$

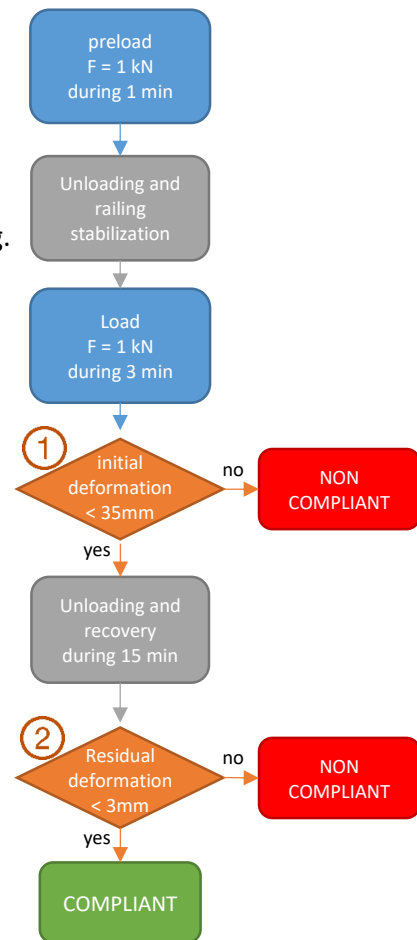
$$F = 1 \text{ kN}$$

P_e : Imposed load in kN / ml

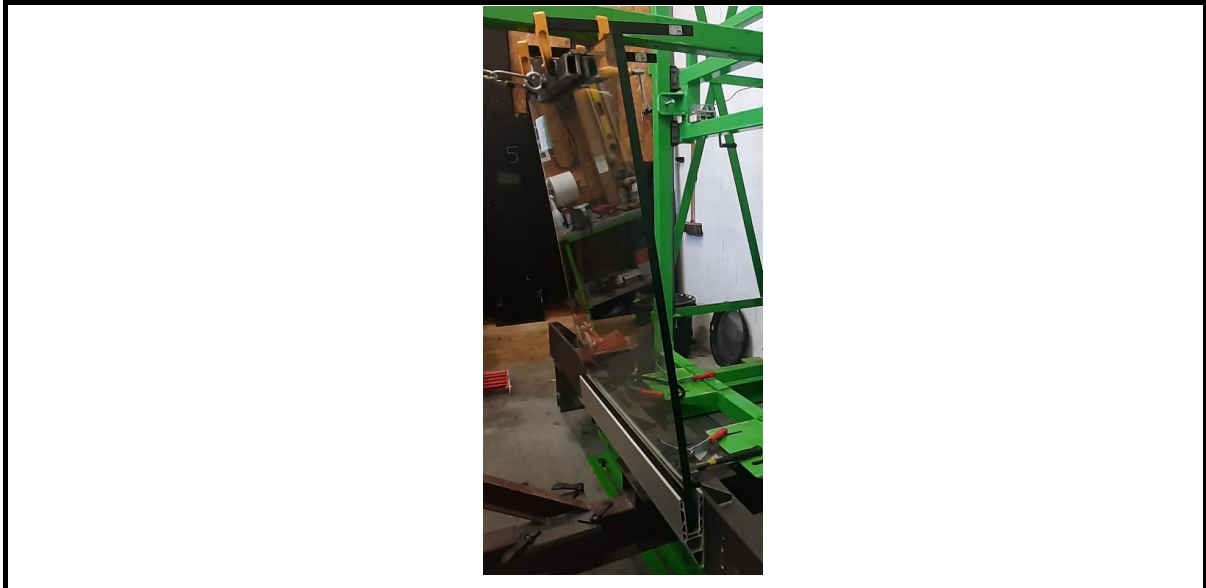
L : Railing length in ml



Schematic of the test



Imposed load test flowchart



Railing under imposed load P_e

According to railing categories of the standard NF P 06-111-2A1 : 2009, P_e values are according to the following:

Category	Specific use	P_e load
A	Housing	0,6 kN/ml
B	Office	0,6 kN/ml
C1	Meeting areas with tables	1,0 kN/ml
C2	Meeting areas with fixed seats	1,0 kN/ml
C3	Meeting areas without obstacles	1,0 kN/ml
C4	Meeting place for sport activities	1,0 kN/ml
C5	Meeting place hosting large crowds	3,0 kN/ml
D	Shops	1,0 kN/ml

Category of use chosen by the client: C1-C2-C3-C4-D [Public], with a load of 1 kN/ml.

6.1.2. Safety load test description

Railing under increased imposed load (Ps) by a coefficient of 3, applied during 15 minutes.

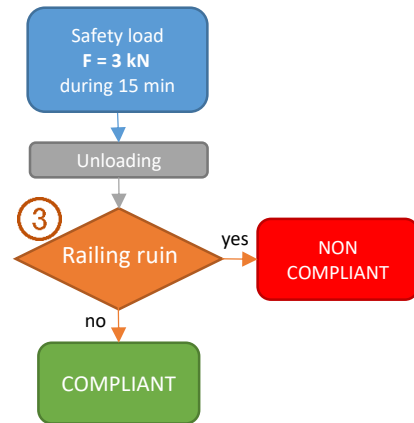
The applied load F (in kN) is equal to $P_s \times L$

$$F = 3 \times P_e \times L$$

$$F = 3 \times 1 \text{ kN/ml} \times 1 \text{ ml}$$

$$F = 3 \text{ kN}$$

→ This test must not lead to to any ruin of the test body (breakage of gazing, fasteners, ...)



Safety load test flowchart

6.1.3. Horizontal static outward test results

	Applied force	Criteria number	Criteria	Test result	STATEMENT
HORIZONTAL OUTWARD STATIC TEST	F = 1 kN	①	Intial deformation < 35 mm	26,88 mm	COMPLIANT
	F = 0 kN	②	Residual deformation < 3 mm after 15 min	2,71 mm	COMPLIANT
SAFETY LOAD TEST	F = 3 kN	③	Must not ruin the railing	No failure	COMPLIANT

6.2. HORIZONTAL INWARD STATIC TEST

6.2.1. Test description

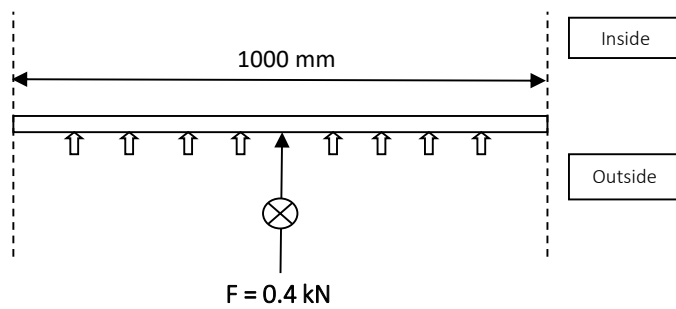
The railing is under an horizontal static load, applied on the top part of the glazing and at the center of its range, into the inward direction.

The static loads are applied at 1,09 m above the Usual Stationary Area (ZSN).

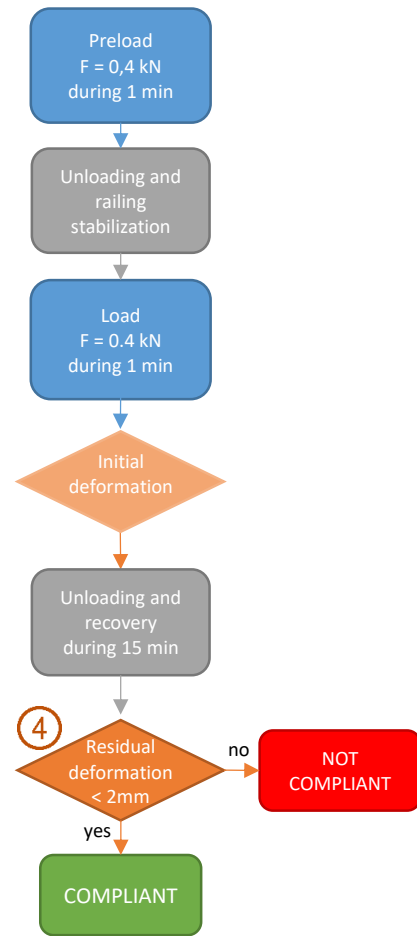
The load F applied during 1 minute is at minimum 40 daN per span.

The residual deformation is measured 15 minutes after unloading.

→ **Maximum residual deformation tolerated : 2 mm**



Schematic of the test



Inward static test flowchart

6.2.2. Test results

	Applied force	Criteria number	Criteria	Test result	STATEMENT
INWARD STATIC TEST	0.4 kN	④	Residual deformation < 2 mm after 15 min	1,15 mm	COMPLIANT

Please note: the initial deformation under the load applied during 1 minute was 12,66 mm.

7. RAILING FILLING IMPACT TESTS

7.1. SOFT BODY IMPACT TESTS

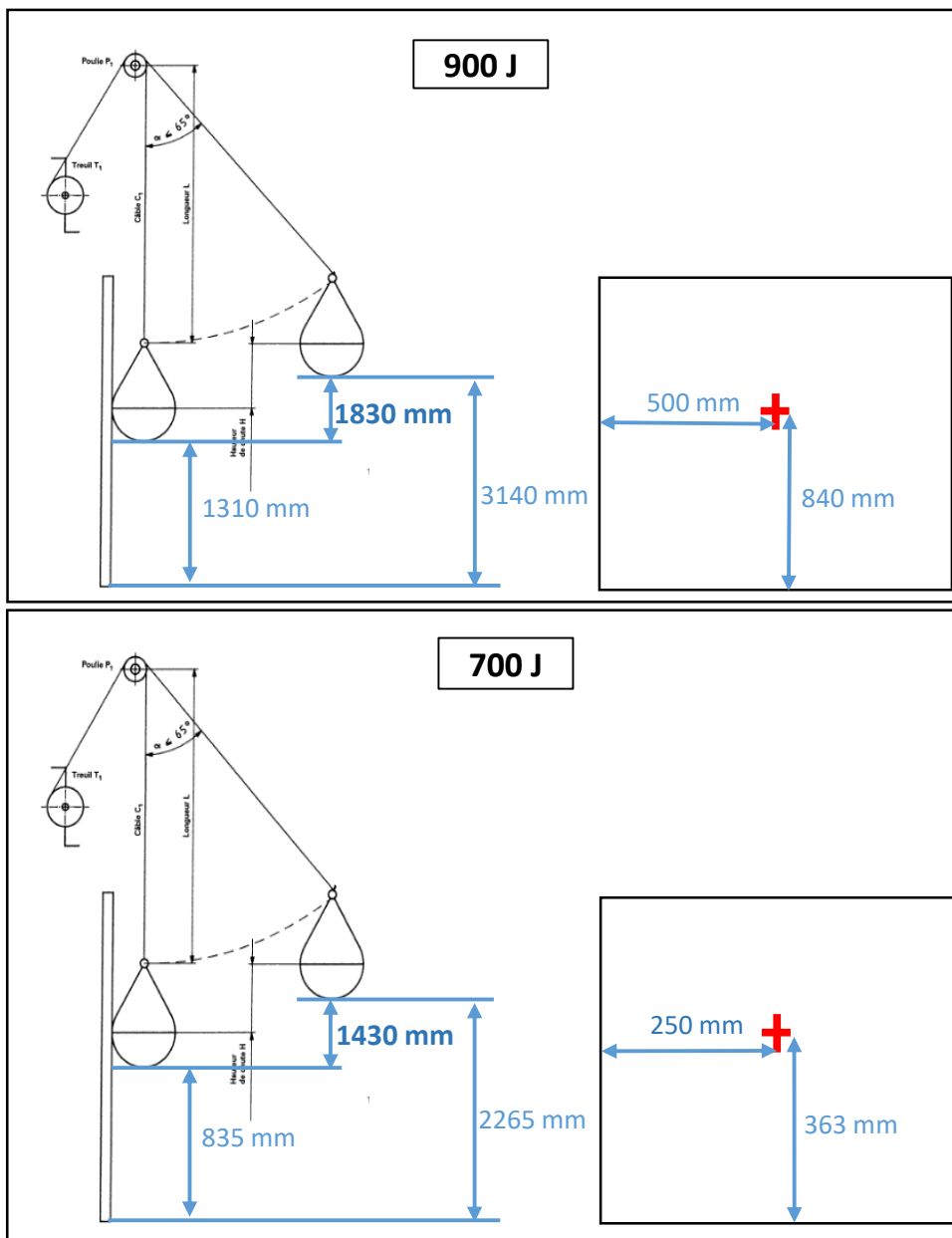
7.1.1. Soft body impact test description

The dynamic soft body test is performed using a shock body made of a spheroconic canvas bag filled with glass beads.

The shock body, suspended at an anchor point, falls with a pendulum movement and comes knocking perpendicular to its plane, the railing filling at determined points of impact.

Test performed at impact point with:

- 50 kg spheroconic canvas bag,
- Drop height H1 = 1.83 m or 900 J,
- Drop height H2 = 1.43 m or 700 J.



Two impact points are spotted:

- 900 J shock: at filling's mid-width and at 250mm from the upper edge of the glazing,
- 700 J shock: at 250mm from a vertical edge and at 1/3rd of the height.

→ **The railing must not be crossed, swept and must not provoke any debris fall**

7.1.2. Soft body impact test results

Choc energy	Drop height	Shock position	Observations	STATEMENT
900 J	1.83 m	Filling's mid-width and at 250mm from the upper edge of the glazing	CLEAR	COMPLIANT
700 J	1.43 m	At 250mm from a vertical edge and at 1/3rd of the height from the bottom	CLEAR	COMPLIANT

7.2. HARD BODY IMPACT TESTS

7.2.1. Hard body impact test description

The dynamic hard body test is performed using a shock body mode of a steel ball.

The shock body, suspended at an anchor point, falls with a pendulum movement and comes knocking perpendicular to its plane, the railing filling at determined points of impact.

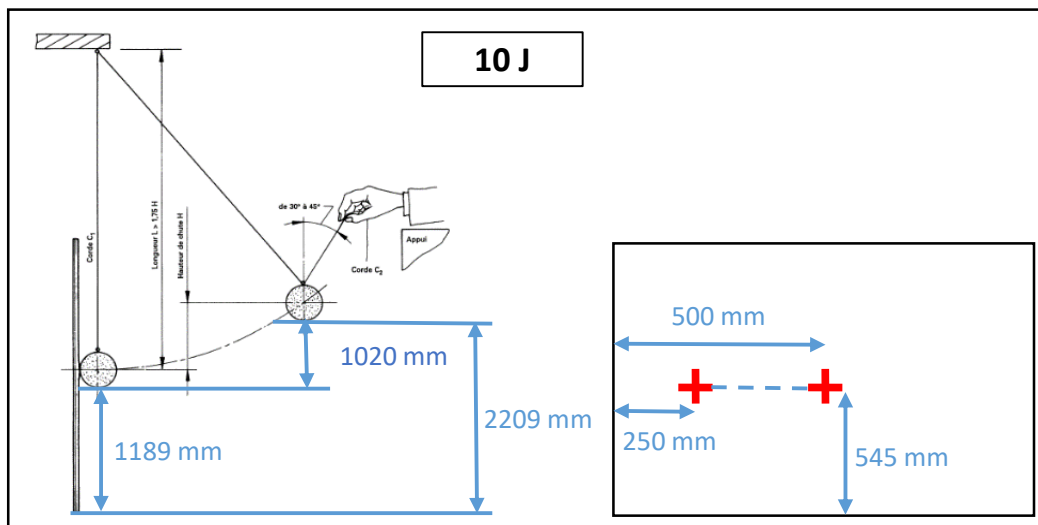
Test performed at impact point with:

- 1 kg steel ball
 - o Drop height H1= 1.02 m or 10 J
- 0.5 kg steel ball
 - o Drop height H2= 0.61 m or 3 J

Points of impact are either at the geometrical center of the filling, or at 250 mm on one side at mid-height of the visible part of the glazing.

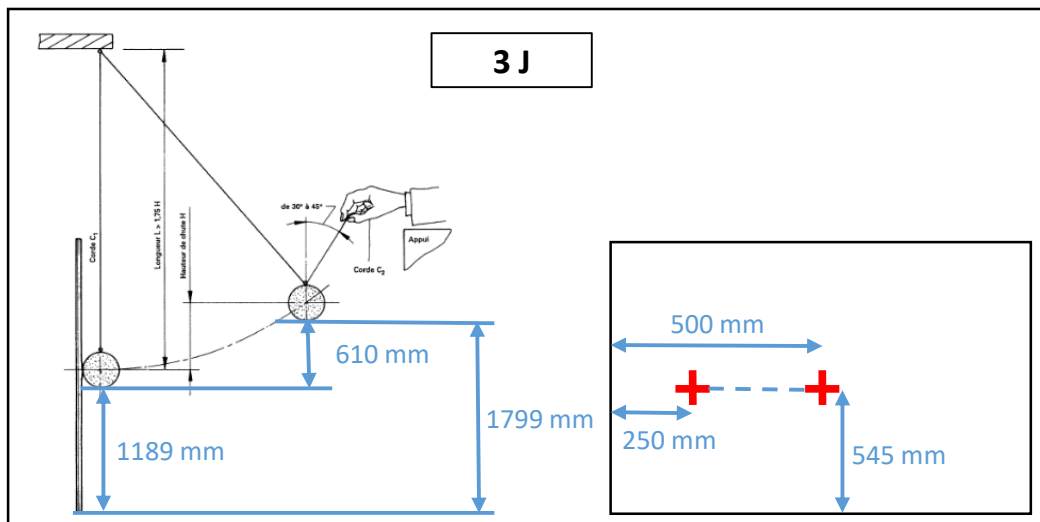
- Security shock at 10 J

→ The railing must not be crossed, swept and must not provoke any debris fall



- Performance conservation shock at 3 J

→ The railing shouldn't be damaged



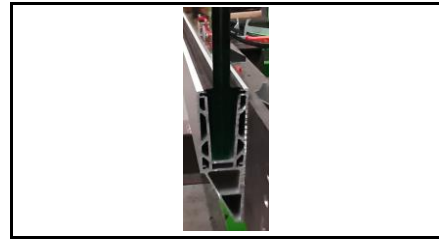
7.2.2. Hard body impact test results

Shock energy	Drop height	Shock position	Observations	STATEMENT
10 J	1.02 m	Center of the filling	CLEAR	COMPLIANT
10 J	1.02 m	At 250mm from a vertical edge and at glazing mid-height	CLEAR	COMPLIANT
3 J	0.61 m	Center of the filling	CLEAR	COMPLIANT
3 J	0.61 m	At 250mm from a vertical edge and at glazing mid-height	CLEAR	COMPLIANT

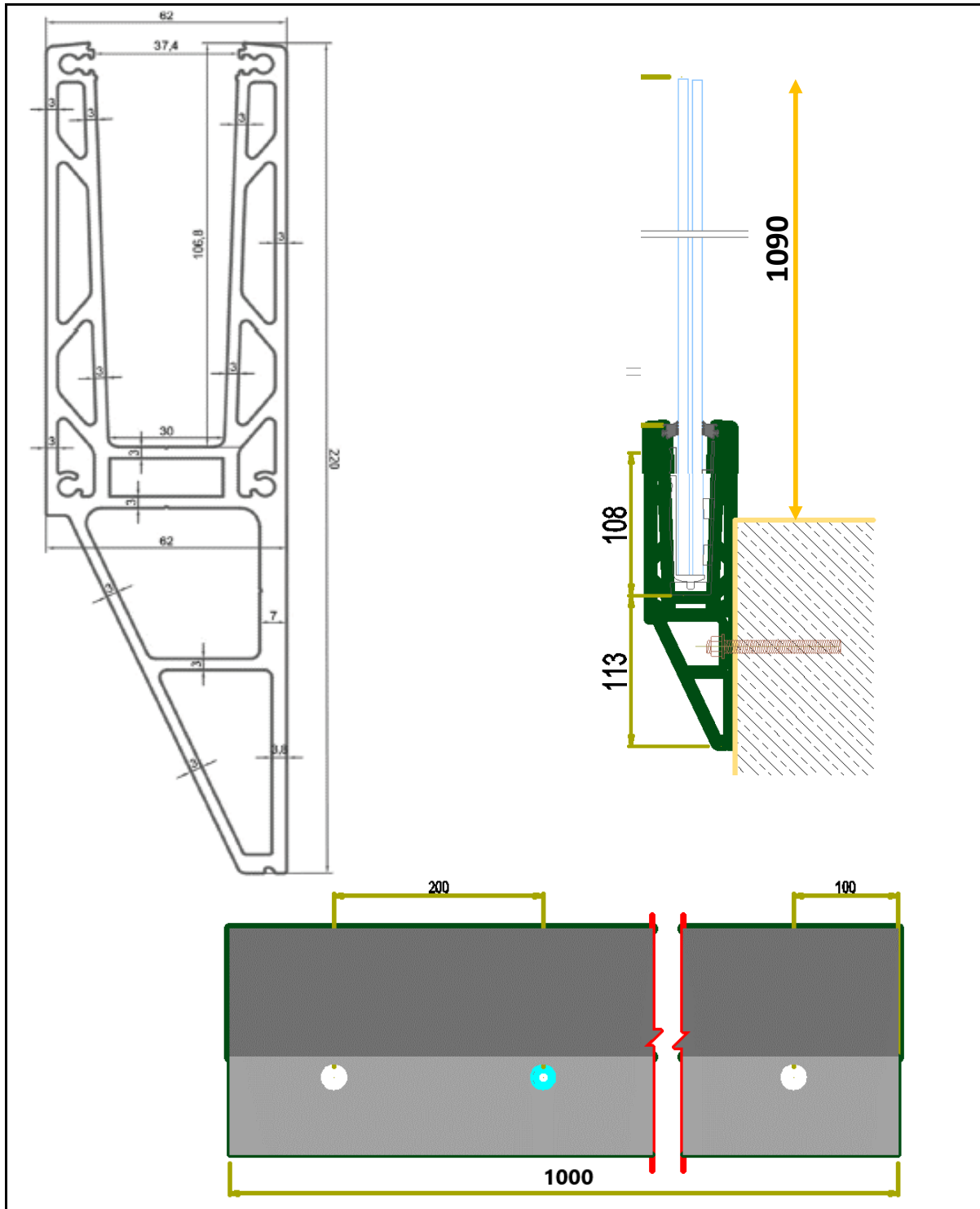
8. APPENDIX : PLANS



Wedge: Holding



Profile: KF 1200



Profile plan

Annexe 1 Fiche d'identification du vitrage (à remplir par le fabricant de vitrage)

Fiche d'identification du vitrage à remplir par le fabricant Identification sheet of the glazing to be completed by the manufacturer	
Nom du produit / Product name	Stratobel Structyflex
Nom du fabricant / Manufacturer name	AGC IVB
Nom de l'unité d'assemblage en français / Name of assembly plant for assembled glass	AGC IVB
Dimensions / Dimensions	1000x1190
Vitre 1 / Glass 1	
- Épaisseur / Thickness	10mm
- Traitement thermique / Heat treatment	Air
- Finition des bords / Edge finishing	Joint Plat Poli
- Autres traitements couches... / Other particular coating... /	/
- Mesure optique des précontraintes de surface des vitrages trempés ou durcis sur feu à norme NF EN 14179 ou NF EN 1863 ou réalisation d'essais de flexion selon NF EN 1288-3 / Measurement of surface compression stress of thermally toughened or heat strengthened glass according to EN 14179 or EN 1863 or bending test according to EN 1288-3	Programme de trépage 120MPa
Vitre 2 / Glass 2	
- Épaisseur / Thickness	10mm
- Traitement thermique / Heat treatment	Air
- Finition des bords / Edge finishing	Joint Plat Poli
- Autres traitements couches... / Other particular coating... /	/
- Mesure de contrainte de compression superficielle des vitrages trempés ou durcis sur feu à norme NF EN 14179 ou les essais de flexion selon NF EN 1288-3 / Critical surface pre-stress measurement of thermally toughened or heat strengthened glass according to EN 14179 or bending test according to EN 1288-3	Programme de trépage 120MPa
Intercalaire / Interlayer	
- Nom du film / Interlayer name	Saflex R series (RB41)
- Fabricant / Manufacturer	Eastman
- Nature / Nature	Polyvinylebutyral
- Épaisseur / Thickness	1,52mm
- Date et signature du fournisseur de vitrage / Date and signature of glazing manufacturer	12/11/2020

Fiche d'identification du vitrage (à remplir par le fabricant de vitrage)

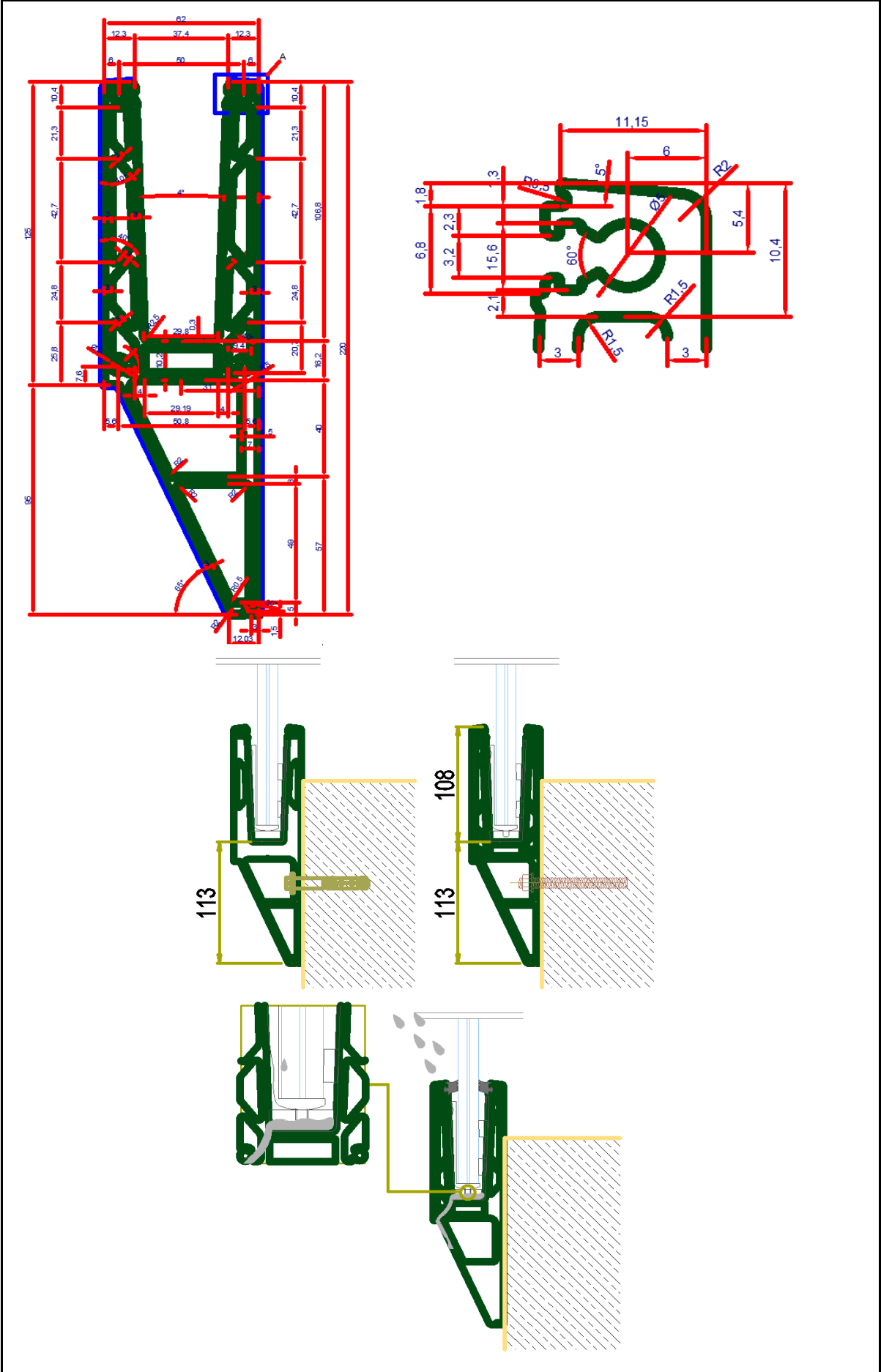
AGC IVB
Zone Industrielle
10170 - MERY SUR SEINE
Tél. + 33 (0)3 25 39 52 52
Fax + 33 (0)3 25 39 52 30
SIRET 401 688 840 00014 - APE 2312

AGC IVB
Zone industrielle
10170 Mery sur Seine
France
Tel: +33 3 25 39 52 52




SAS GCD france - 270 Rue des Carrières - P.A. de la Ronze - 69440 TALUYERS - Tél : 04 78 73 21 87

Identification sheet of the glazing



Profil detail (untested attachment)